

Pool lift: METALU S-3800

Battery-powered pool lift.

Designed especially for above-ground pools.

- S-3800 Manual rotation
- S-3800/1 Automatic rotation

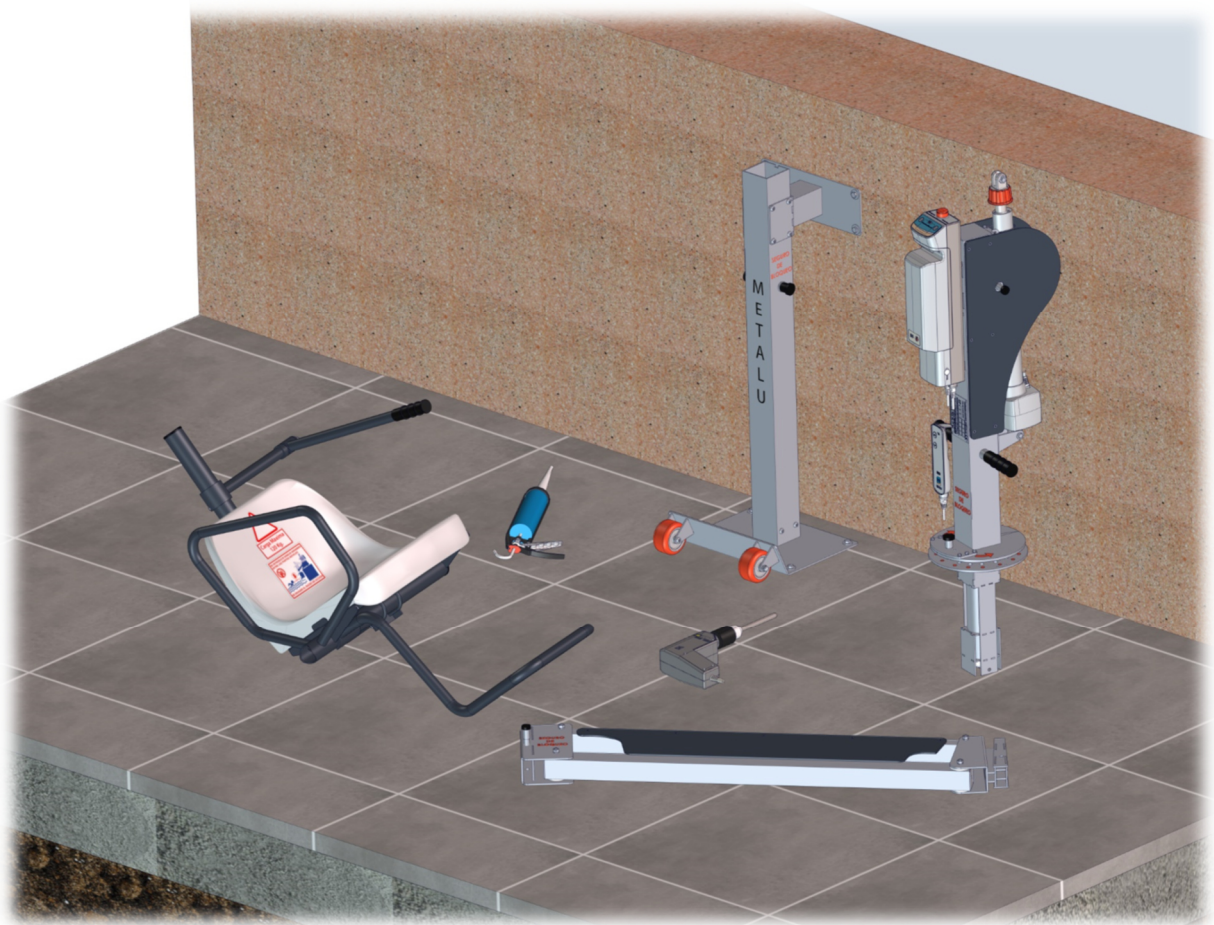
5
years
WARRANTY

on all the spare parts

*Installation and
assembly.*

ascensoracuático

METALU[®]
poollift.com.es



ISO 9001
ISO 14001
BUREAU VERITAS
Certification





Contents

1. Installation.....	3
2. Lift assembly.....	8



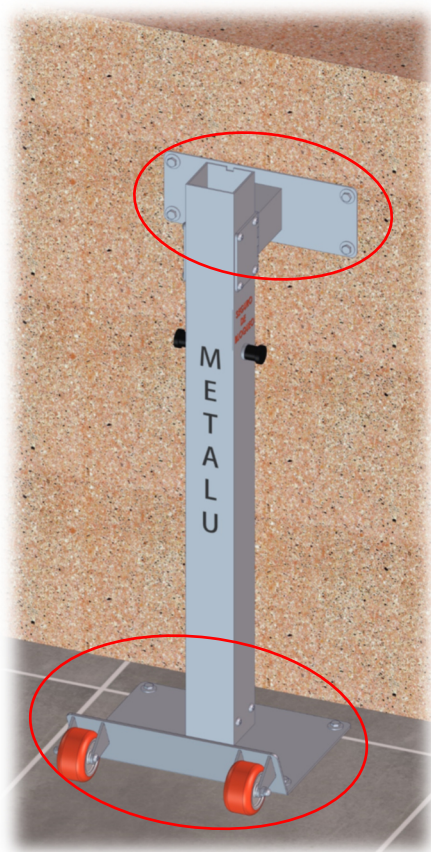
1. Installation.

The following tools and materials are needed to install the METALU S-3800 and S-3800/1 lift.

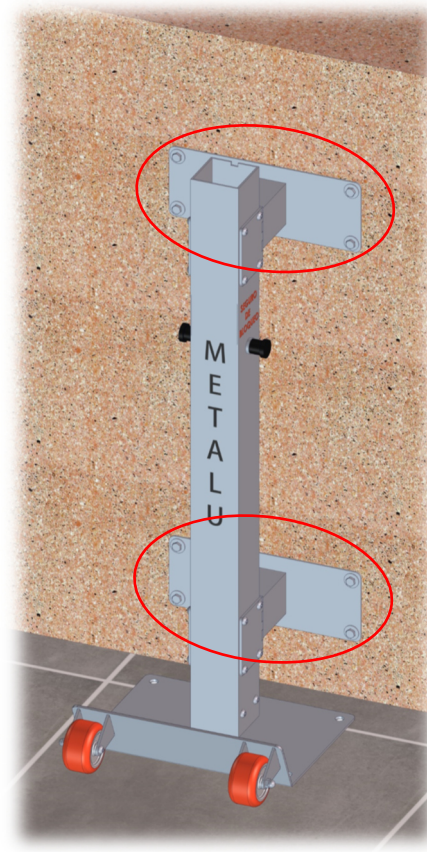
- Hammer drill.
- 14mm bit.
- Common tools:
 - 12-13 fixed flat wrench.
 - Pencil to mark drilling holes.
- EPOXI chemical anchoring.
- EPOXI chemical anchoring application gun.

The regulations of each autonomous community should be considered during installation.

There are two ways of anchoring the METALU S-3800 and S-3800/1:



Wall and floor anchor

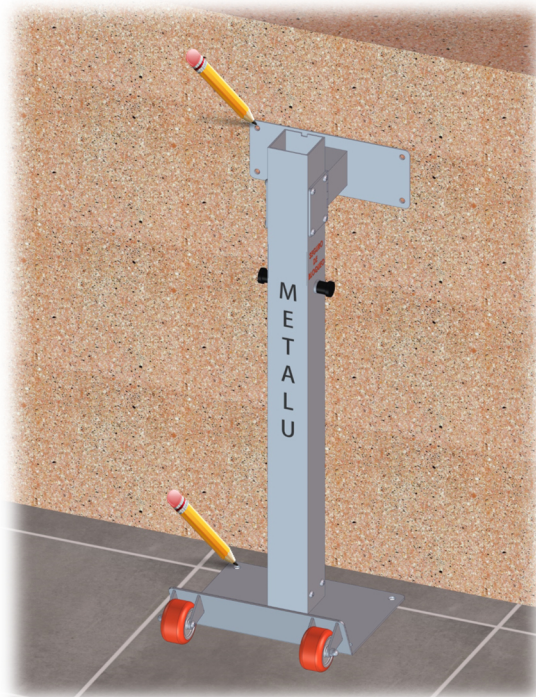


Double wall anchor



The same steps should be followed for both installation configurations. Pay attention to the position of the anchor blocks. Below are the instructions for the wall and floor installation:

Step 1. Position the lift in the desired place and mark the 8 drill holes of the anchor blocks (on the floor or wall).



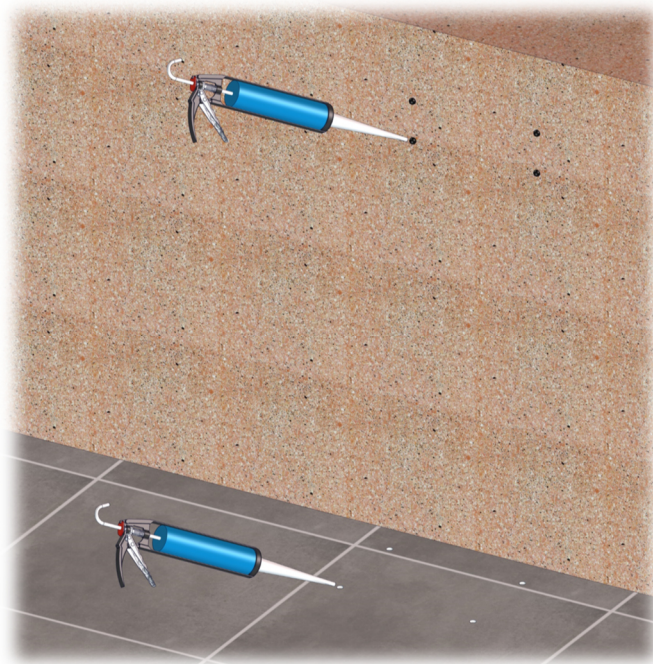
Step 2. Drill where you made the markings. Use 14 mm bit with the drill. For safety reasons, we recommend that there is no one in the pool while you work.



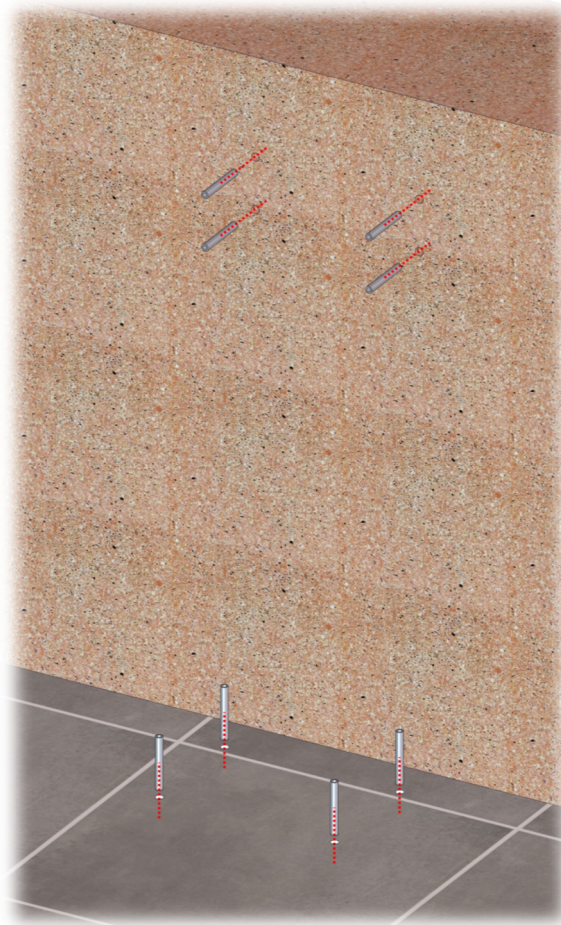
Deeply clean the dust from drill with air or water if necessary.



Step 3. Fill up half of the drill holes with the EPOXI chemical anchoring.



Step 4. Insert the 8 anchor blocks, making sure there are no obstacles in the hole. If needed, apply more EPOXI chemical anchoring down the sides of the drill holes to make sure there are no air gaps.

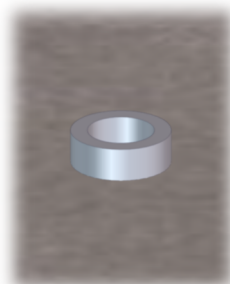




Step 5. Make sure there are no obstacles in the holes and that they are level with the ground, **neither protruding nor below the surface.**



Correct position:
Level with the ground

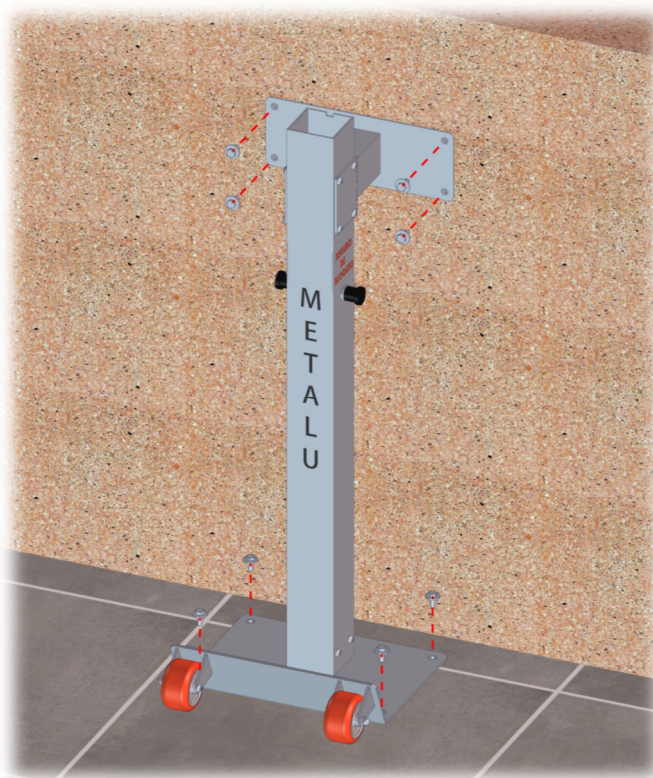


Incorrect position:
Protruding



Incorrect position:
Sunk

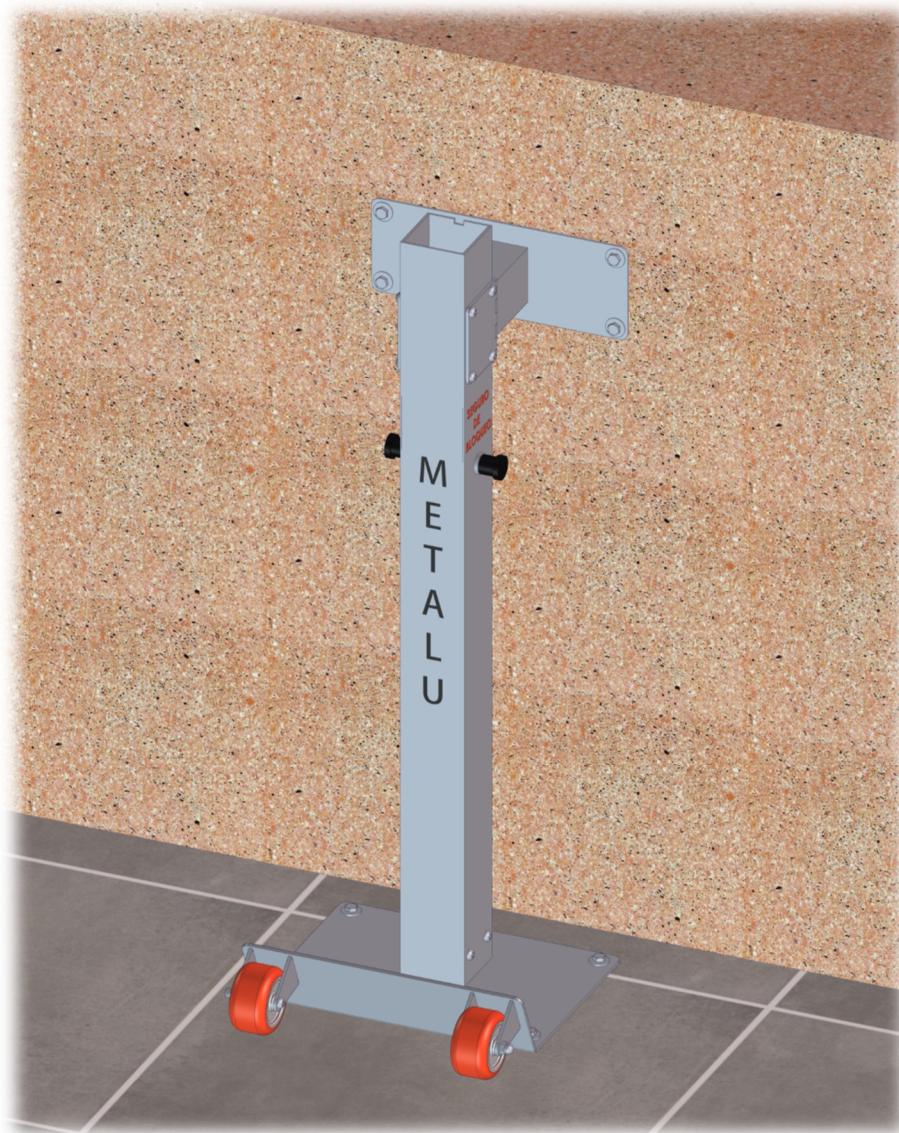
Step 6. Position the lift and screw in the corresponding bolts in the anchor blocks. Do not fully tighten. Wait for the EPOXI chemical anchoring to dry according to the manufacturer information.



Step 7. Once the EPOXI chemical anchoring has dried, fully tighten the bolts holding the anchor blocks.



The end result of the anchor installation is shown in the figure below:

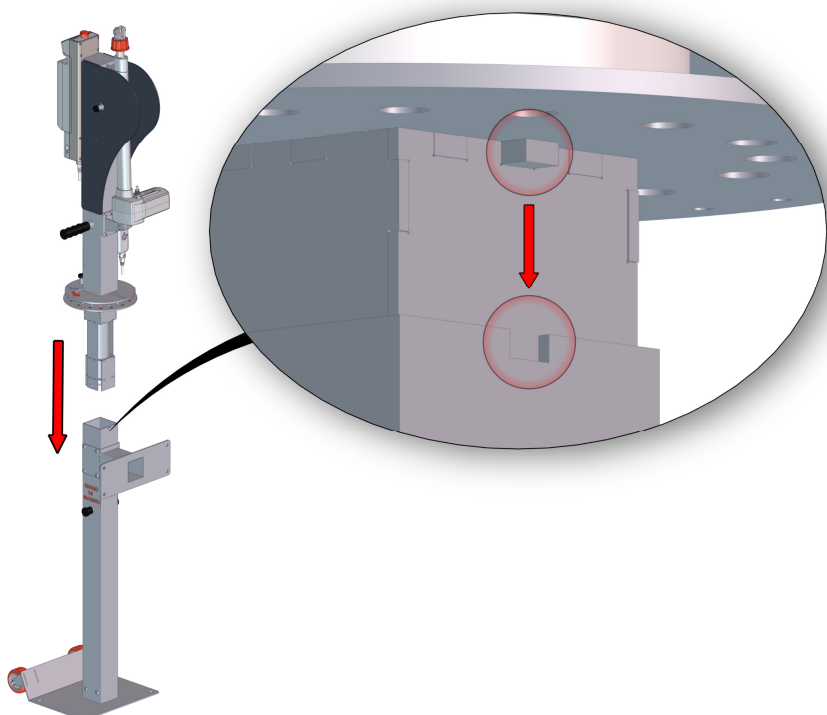


2. Lift assembly.

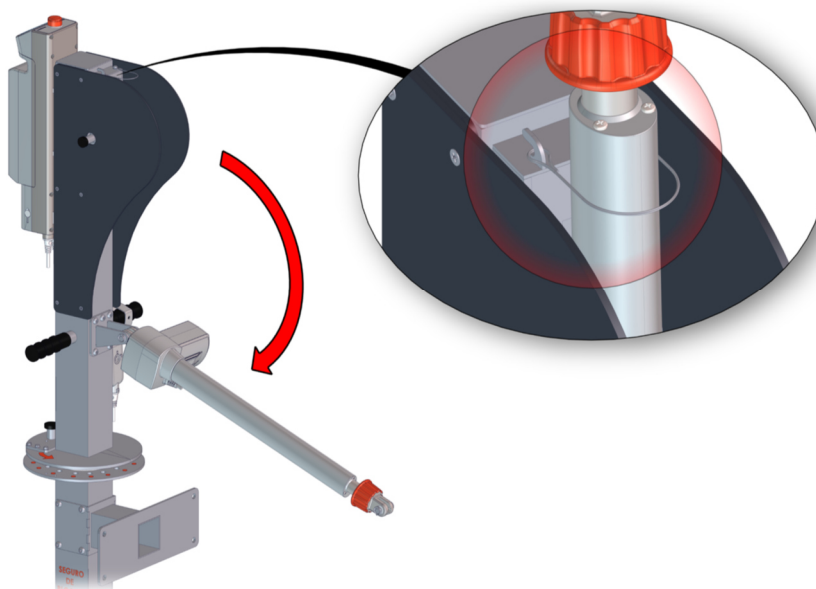
Below is a detailed step-by-step guide on how to assemble the S-3800 and S-3800/1 lift.

The steps are:

1. Align the fixed structure and the mobile structure. Align them in the only possible position, aligning both structures. It must end up as shown in the image below.

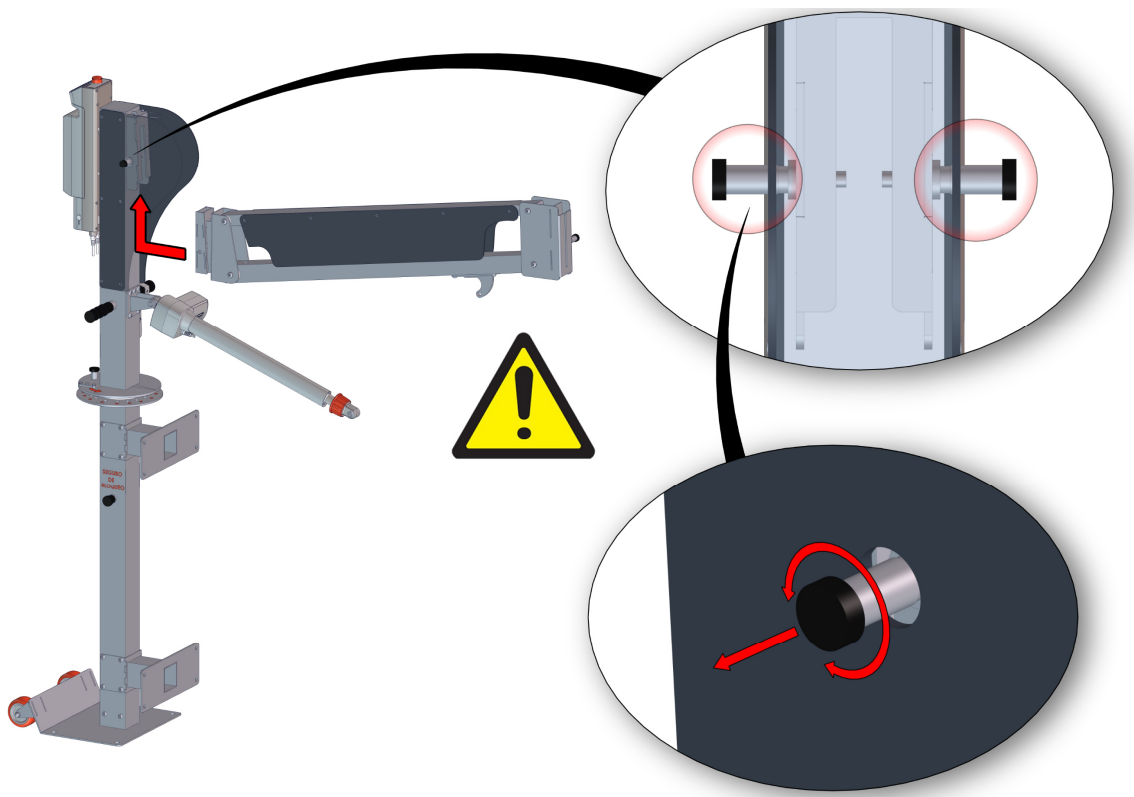


2. Release the electrical actuator from the metal sling and rest it on the lift.

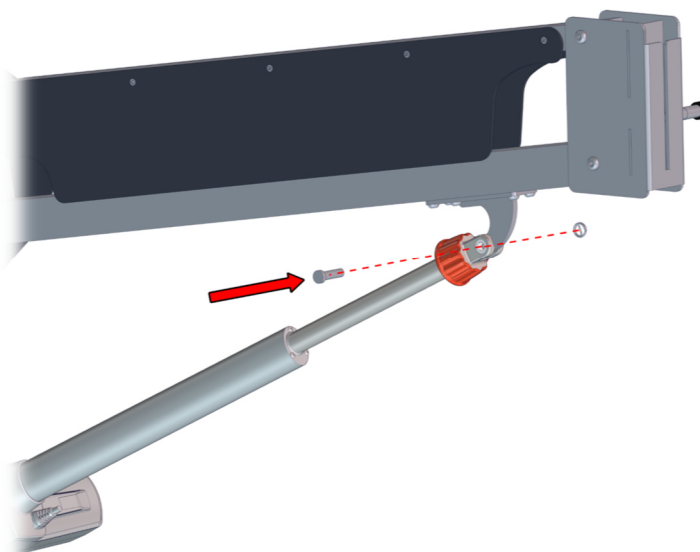


3. Introduce the arms in the corresponding grooves and secure it with the positioners. To do so, use the positioners and turn it a quarter turn.

WARNING! Make sure the positioners are in the correct position and that the arms are fixed in place. Check as appropriate.

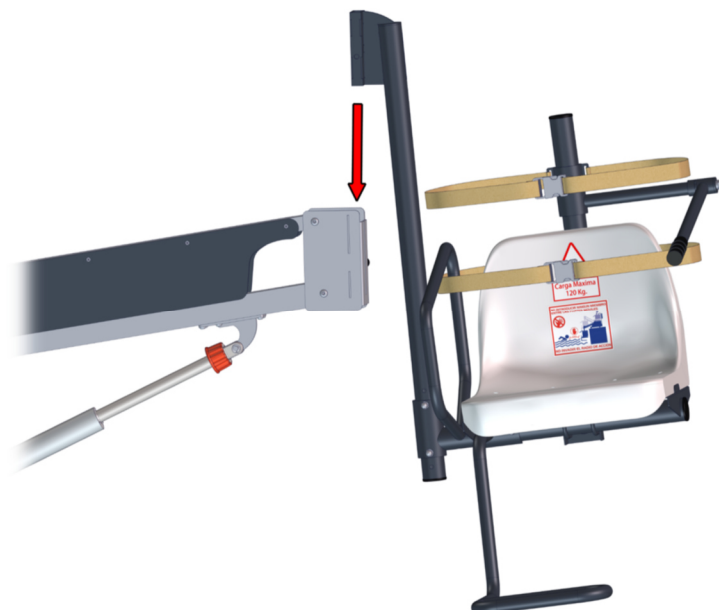


4. Fix the electrical actuator to the arms of the lift using the pin.

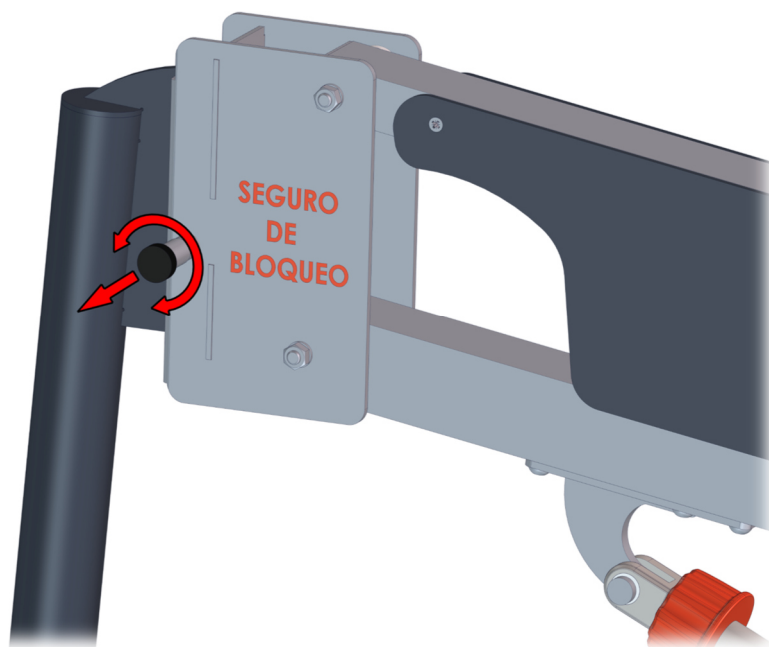




5. Assemble the chair on the corresponding groove on the arm.



6. Lastly, secure the chair using the safety positioner. To do so, use the positioner and turn it a quarter turn.
WARNING! Make sure the positioners are in the correct position and that the arms are fixed in place. Check as appropriate.



Note: "Seguro de bloqueo" means "Safety lock"



The final assembly of the lift should look like the following image:



In order to **disassemble the lift**, follow the above steps in reverse order.

MANUFACTURAS METÁLICAS LUISIANERAS, S.L.

METALU S-3800 and S-3800/1 battery-powered pool lift

Installation and assembly

Address: Polígono Industrial Los Motillos, C/ Madrid n.º 11 naves A, C, D, G, H, 41430.

Town/city: La Luisiana (Seville).

Tax ID: B – 41834508

Main telephone: +34 955 907 784

Website: www.poollift.com.es

Email: info@poollift.com.es

