

Pool lift: METALU PK

Hydraulic pool lift.

Designed for in-ground pools.



METALU
ascensoracuático.com

5
años
GARANTÍA

En todo el repuesto

Manual and certificates.



ISO 9001
ISO 14001
BUREAU VERITAS
Certification





Contents

1. Manufacturer information	3
2. Functional characteristics.....	3
3. Main product standards.....	5
4. CE declaration of conformity.	6
5. Identification plate.	7
6. Warranty certificate.	7
7. Commissioning certificate.	8
8. Installation certificate.....	9
9. Components in the standard package.....	10
10. Components in the delivery.	11
11. Dimensions of the lift	13
12. Proper use of the product and maintenance.....	16



1. Manufacturer information

Company name: Manufacturas Metálicas Luisianeras, S.L.

Address: Polígono Industrial Los Motillos, C/ Madrid n.º 11 naves A, C, D, G, H, 41430.

Town/city: La Luisiana (Seville).

Tax ID: B – 41834508

Main telephone: +34 955 907 784

Website: www.ascensoracuatico.com

Email: info@ascensoracuatico.com

2. Functional characteristics.

The METALU PK model is a pool lift that allows people with reduced mobility to enter swimming pools **independently**. It is a **portable and discrete** lift, the **smallest** on the market, made of **AISI 316 stainless steel**, with a **carrying capacity of up to 150 kg**. It is actuated by a **hydraulic system** that needs **3.5 to 5.5 bars** of water pressure with a **dual control valve** to operate the lift from both inside and outside the pool. It is **easy to store (total height 1.63 m)** and includes **supports for storage when not in use** and also has a **wheel** for easy transportation. The **seat can removed** to avoid undue use and additional components can be added in future (auxiliary shower, footrest, armrest, seat belt, etc.). Once installed it can be assembled and disassembled in **2 minutes without tools**. Adaptability and range of **anchoring options** for different swimming pool profiles.





This product has the following stand-out features:

- The user is **fully independent**.
- **Portable** and fitted with a wheel for easy transportation.
- **Small and discrete**, with anchoring parts for storage when not in use.
- A single lift can be used for **multiple** swimming pools.
- Once installed, assembly and disassembly **only take a few minutes and requires no tools**.
- **Dual controls** allowing operation from outside and inside the swimming pool.
- **Manometer** to measure the pressure received by the hydraulic system.
- **Removable seat** to prevent improper use.
- The lift leaves the factory **fully assembled and ready for installation** (lifts with standard anchors).
- Adaptability (available to order):
 - Special anchors to fit any pool.
 - Inverse turn.
- Additional components (available to order):
 - Shower.
 - Seat belt.
 - Foldable armrest.
 - Footrest.
 - Rubber stopper for polyester, liner, etc. pools.

The technical characteristics of the METALU PK model are listed below.

Technical characteristics		
Material	AISI 316 stainless steel	-
Maximum load capacity	150	kilograms
Pressure range	3.5 – 5.5	bar
Turning angle	170	degrees
Radius of gyration	700	millimetres
Travel	1.06	metres
Net weight	$(31 + 7) = 38$	kilograms
Assembled weight	$(36 + 13) = 49$	kilograms
Lifting time when empty (depending on pressure)	24	seconds
Lifting time carrying an 85-kg person (depending on pressure)	27	seconds
Lowering time in seconds	50	seconds
Lowering time carrying an 85-kg person	22	seconds
Water capacity in the cylinder	9	litres
Minimum depth of pool in installation area	0.90	metres



3. Main product standards.

- The manufacturing and finish of the lift have the following characteristics:
 - The entire structure and accessories are made of **316 stainless steel**.
 - The finish of the metal avoids sharp edges that could **cause injuries**.
 - The nuts and bolts **do not pose any kind of risks**. Everything is put together with rounded bolts that will not scratch the user.
 - Moving parts have enough space to avoid **trapping any body parts**.
- A warning sign is included indicating the **maximum lifting weight** (150kg).
- The static coefficient has been considered, doubled to calculate the **mechanical strength and risk of overturning**.
- Moving parts move slowly, at **less than 0.1 m/s**, avoiding the risk of falling off the seat.



4. CE declaration of conformity.



CE DECLARATION OF CONFORMITY

The undersigned, representing the company:

- **Company name:** Manufacturas Metálicas Luisianeras, S.L.
- **Tax ID:** B – 41834508.
- **Address:** Polígono Industrial Los Motillos, C/ Madrid n.º 11 naves A, C, D, G, H, 41430.
- **Town/city:** La Luisiana (Seville).

Description of the product:

- **Model:** METALU PK.
- **Type:** Pool lift with hydraulic lifting and turning movements to enable people with reduced mobility to enter and exit pools.
- **Capacity:** Lifting capacity 150 kg.

Provisions that the machine complies with.

The machine complies with the provisions set out in Directive 2006/42/EC of the European Parliament and of the Council of 17 May 2006 on machinery.

Harmonised rules and technical specifications used.

- **UNE-EN 61310-1:2008.** Safety of machinery. Indication, marking, and manoeuvring.
Part 1: Requirements for visual, acoustic and tactile signals.
- **UNE-EN 61310-2:2008.** Safety of machinery. Indication, marking, and manoeuvring.
Part 2: Requirements for marking.
- **UNE-EN ISO 12100:2012.** Safety of machinery. General principles for design.
Risk assessment and risk reduction.
- **UNE-EN 547-3:1997+A1:2008.** Safety of machinery. Human body measurements.
Part 3: Anthropometric data.

La Luisiana, 14 November 2014

Signed Manuel Escalera Soler.

Administrator



5. Identification plate.

The product shall bear a legible and indelible identification plate displaying the following information:

- Name and address of the manufacturer.
- CE conformity marking.
- Year of manufacture.
- Serial no.

ASCENSOR ACUATICO	METALU	CE
AÑO DE FABRICACION	<input type="text"/>	
Nº DE SERIE	<input type="text"/>	
MANUFACTURAS METALICAS LUISIANERAS S.L.		
WWW.ASCENSORACUATICO.COM		
C/ MADRID, 11 41430 LA LUISIANA (SEVILLA) SPAIN		
TFN. (+34) 955 90 77 84		

6. Warranty certificate.

Manufacturer: Manufacturas Metálicas Luisianeras, S.L.

Product: "METALU PK" pool lift. Hydraulic assistant.

Serial no.:

Delivery date:

General conditions:

- **Duration and scope of the warranty:** The product is guaranteed for three years against operational defects and five years against material faults.

Client information:

Client:

Address:

Contact person:

Telephone:

Company signature:



7. Commissioning certificate.

Manufacturer information:

- **Company name:** Manufacturas Metálicas Luisianeras, S.L.
- **Tax ID:** B – 41834508.
- **Address:** Polígono Industrial Los Motillos, C/ Madrid n.º 11 naves A, C, D, G, H, 41430.
- **Town/city:** La Luisiana (Seville).

Description of the product:

- **Model:** METALU PK.
- **Type:** Pool lift with hydraulic lifting and turning movements to enable people with reduced mobility to enter and exit pools.
- **Capacity:** Lifting capacity 150 kg.

Technical construction file approved by the Association of Technical Experts and Engineers of Seville.

This document certifies that:

1. The competent technician (Jesús León Delis, licence no. 10061) certifies the **assembly and commissioning and service of the product described above.**
2. The lift has been manufactured and assembled according to the technical design and manufacturing plan.
3. The design and manufacture has been carried out in line with current Spanish regulations on machine safety, considering the following standards: UNE-EN 61310-1-2008, UNE-EN 61310-2-2008, UNE-EN ISO 12100-2012, UNE-EN 547-3-1997+A1:2008.
4. The pool lift has CE marking, which means its design and manufacture complies with European Economic Community standards.

La Luisiana, 14 November 2014.

The competent technician:

Jesús León Delis

Licence no. 10061

Manufacturer:

Manuel Escalera Soler



8. Installation certificate.

Installer company:

Declaration: The lift has been installed in compliance with the manufacturer's instructions.

Product: "METALU PK" pool lift. Hydraulic assistant.

Serial no.:

Installation date:

Place of assembly:

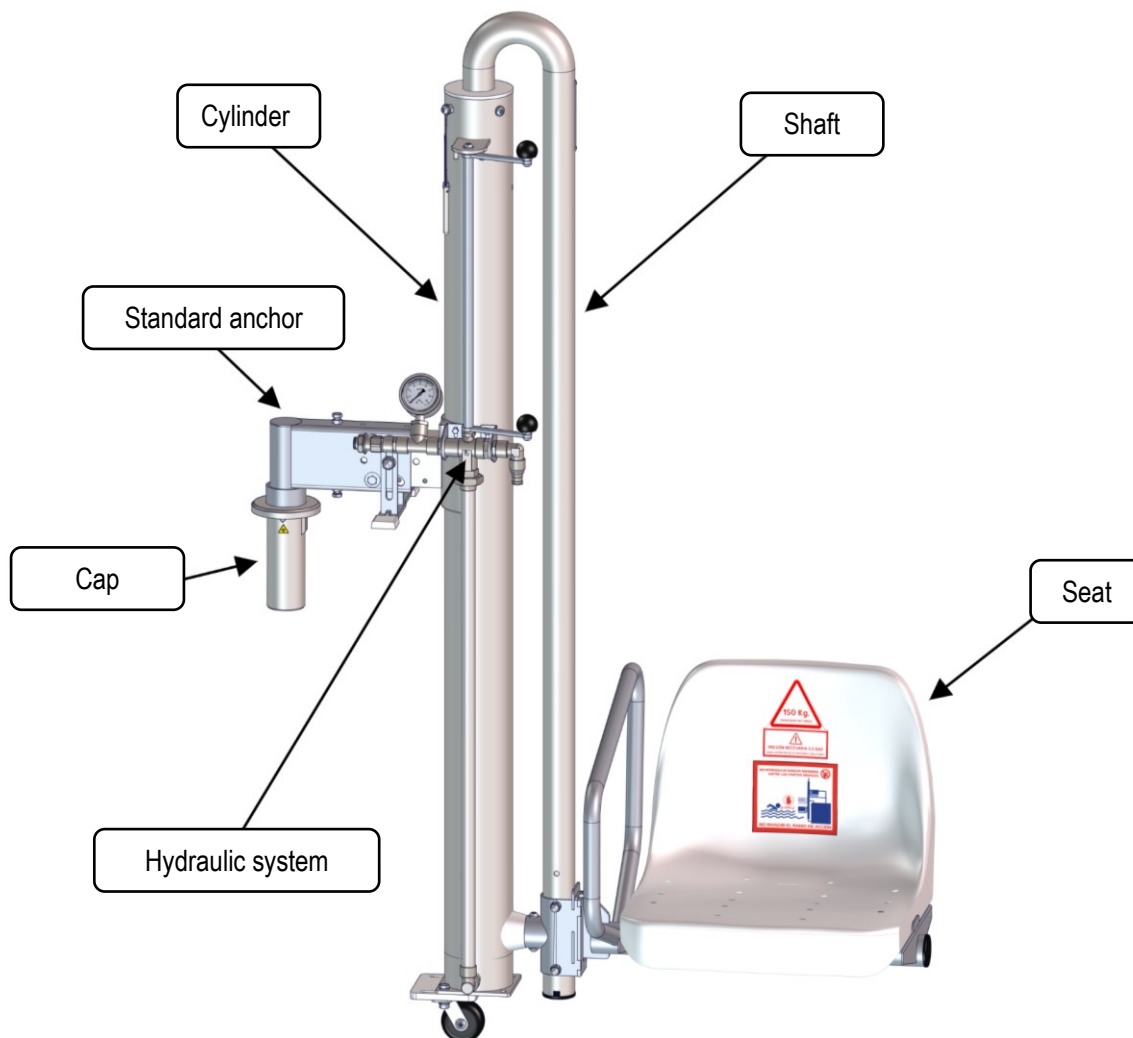
Name of installer:

ID of installer:

Signature of installer:

9. Components in the standard package.

The standard package of the METALU PK model is made of the components in the following image.

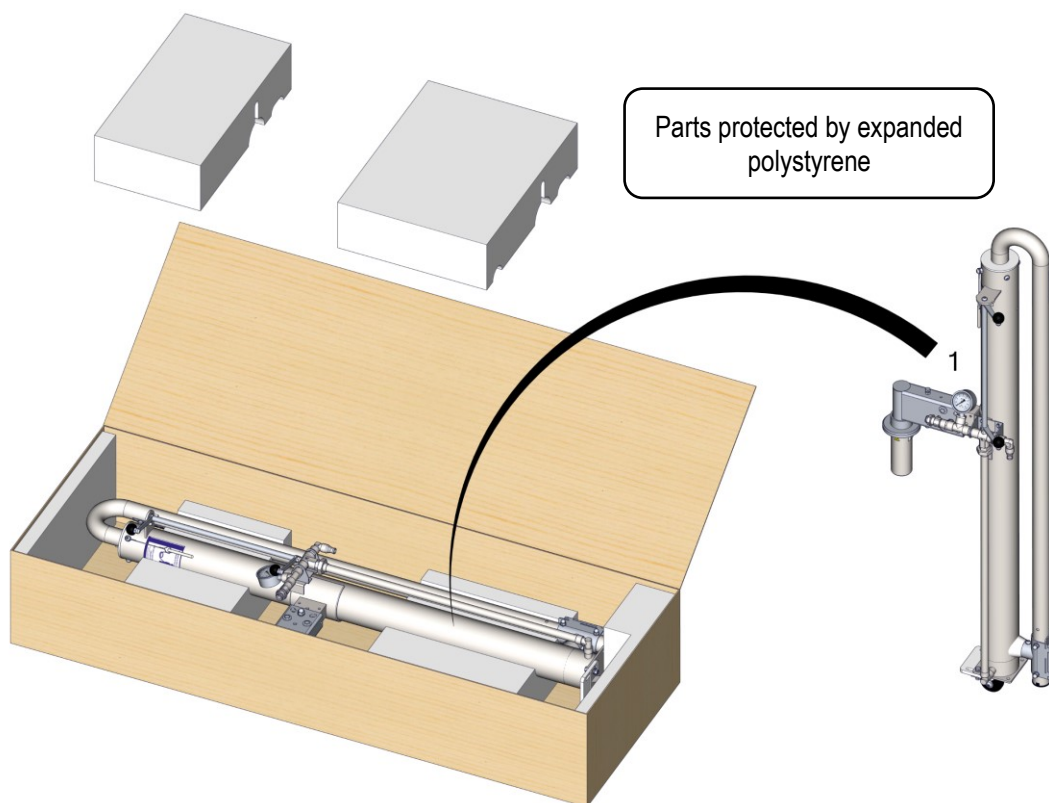


General components of the standard package.

10. Components in the delivery.

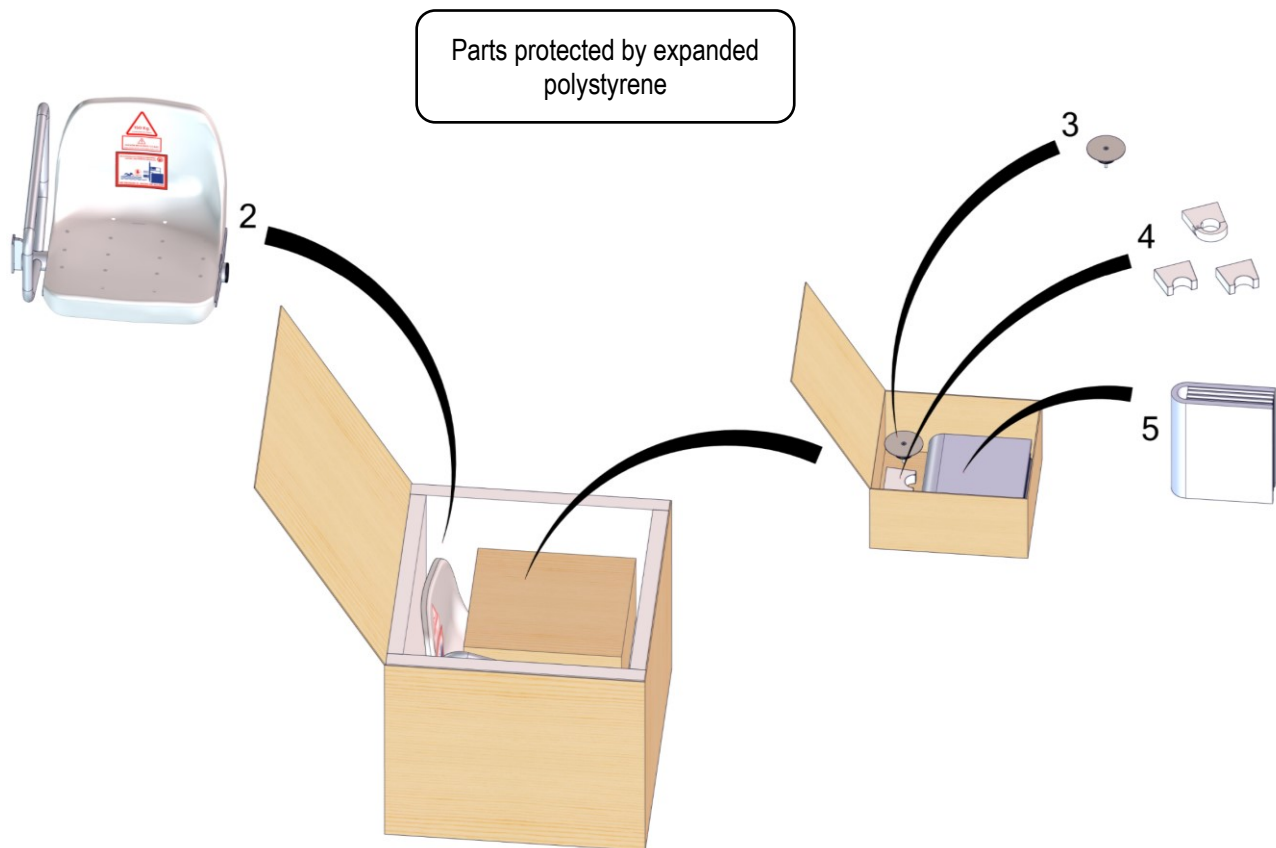
The components in the lift standard package are supplied to the client in different parcels.

Components in the standard order delivery				
Type of order		Weight of the package [kg]	Dimensions (width, height, length) [mm]	Content
Standard order	Package 1	36 kg	610 x 320 x 1740	1. Cylinder and shaft group.
	Package 2	13 kg	720 x 600 x 680	2. Chair
				3. Floor anchor plug
				4. Storage supports
				5. Documentation: <ul style="list-style-type: none"> • Manual and certificates. • Pre-installation and installation.





Content of parcel 1 of METALY PK model.

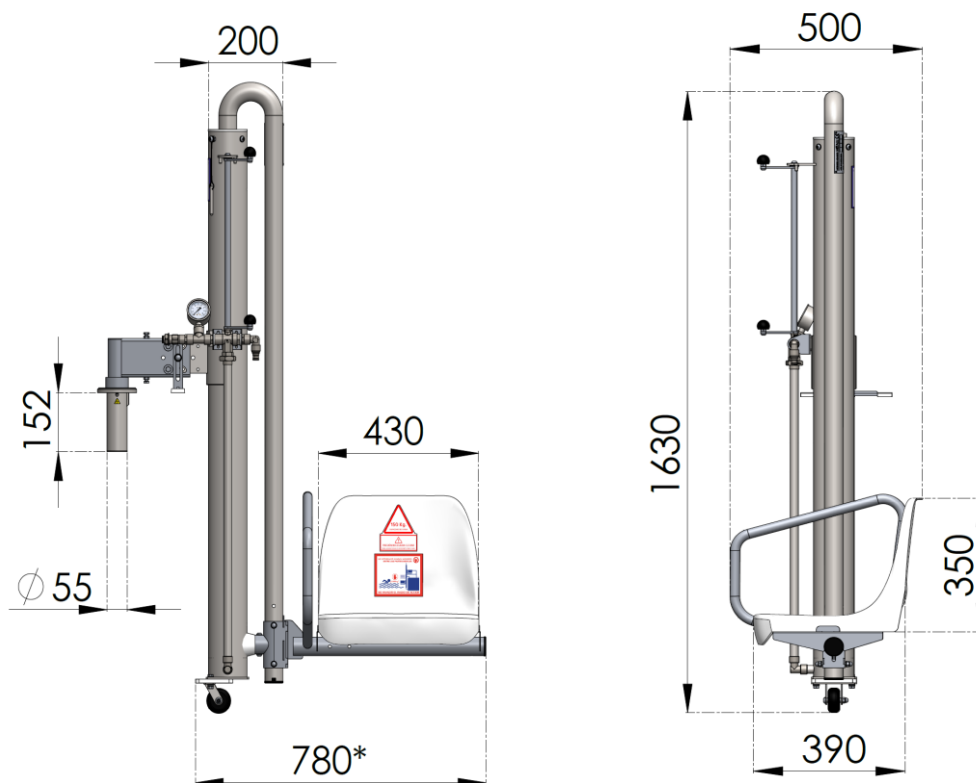


Content of parcel 2 of METALY PK model.



11. Dimensions of the lift

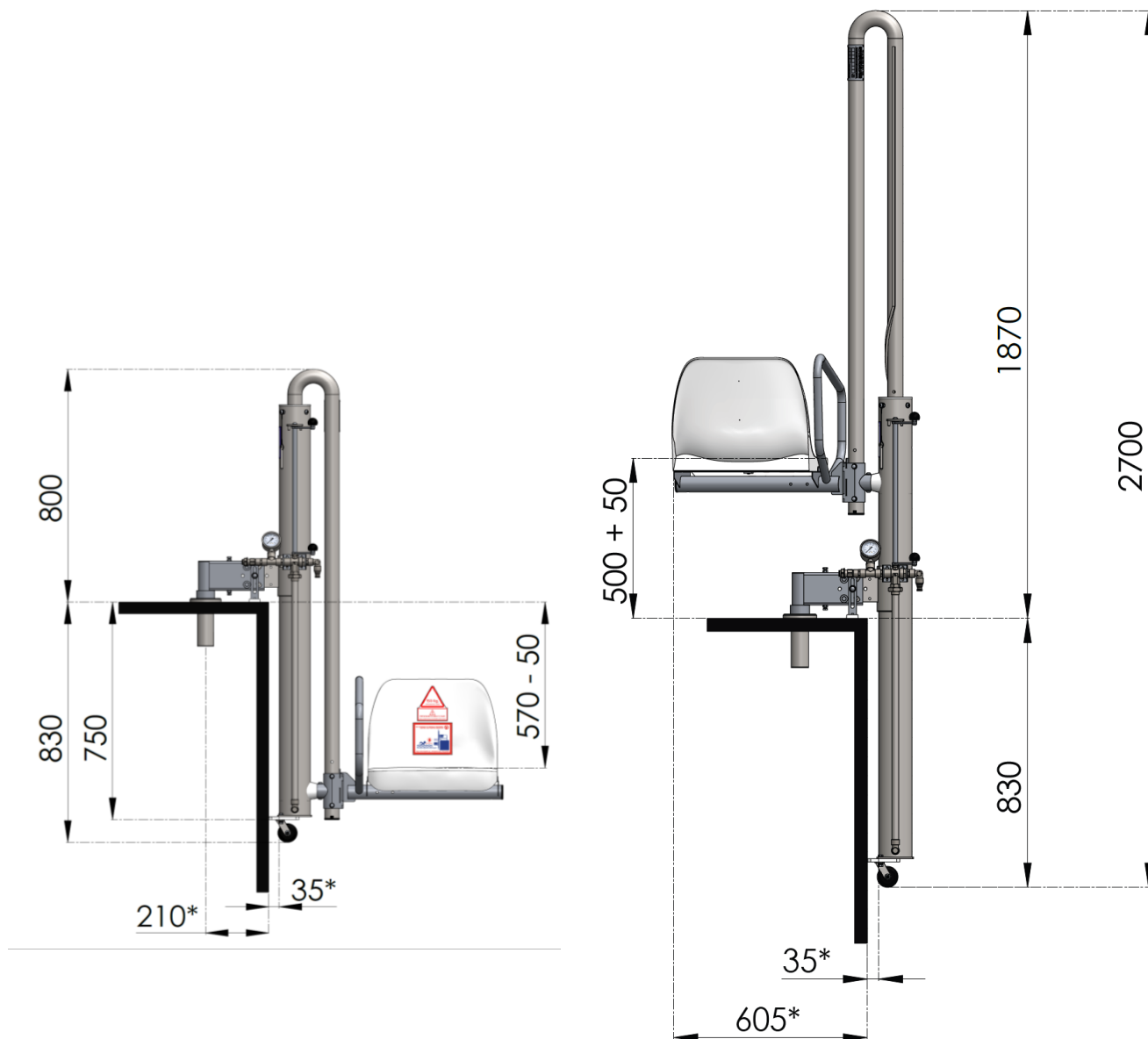
Dimensions of the lift when folded. Units in millimetres [mm].



* Dimension depends on the distance from the inside wall of the pool to the cylinder..



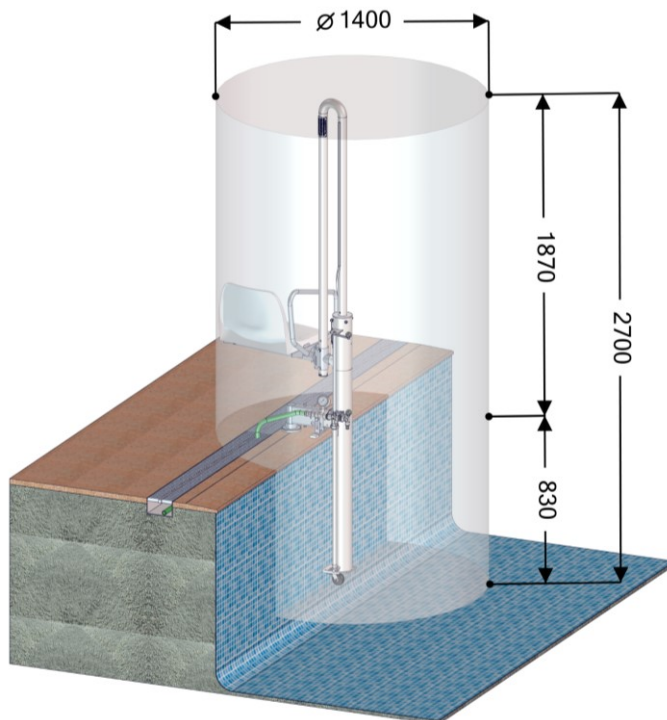
Dimensions of the lift in position in a standard pool. Units in millimetres [mm].



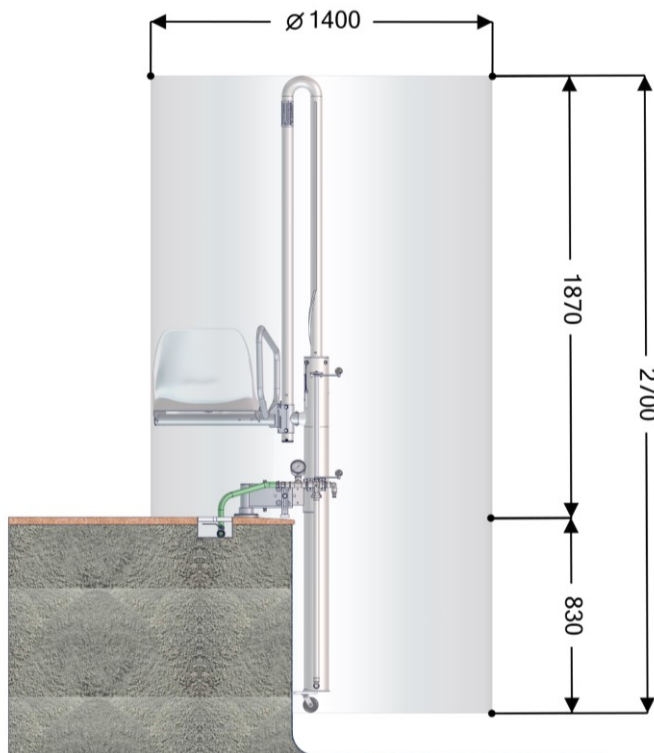
* Dimensions depend on the 35mm distance, that is, the distance between the inside wall of the pool to the cylinder.



Dimensions of the lift when extended. Units in millimetres [mm].



Three-dimensional dimensions in which the lift operates (3D view).



Three-dimensional dimensions in which the lift operates (side view).



12. Proper use of the product and maintenance.

Using and maintaining the product correctly will substantially increase its lifetime. Therefore, we recommend following these guidelines:

- Proper use of the lift:
 - Use the lift responsibly. Make sure you are familiar with its functions and purpose before using it.
 - The lift must not be used without first following the set-up steps. Check the assembly and installation instructions in the manual.
 - The lift must only be used by authorised members of the establishment.
 - The user must sit up straight in the middle of the seat. From this position the controls can be easily reached.
 - Before using the lift, the user must make sure that no person or obstacle is in the path of the moving parts of the lift.
 - Once the user is in the pool, the seat should be returned to its initial position, so that it is not an obstacle to other users in the pool.
 - The maximum lifting weight of the lift, and therefore maximum user weight, is 150 kg.
 - It is forbidden for more than one person to use the lift at once, even if they weight less than 150 kg together.
 - It is forbidden to use the lift as a toy for jumping off of, etc.
 - The seat is adapted to anthropometric measurements according to European Standards.
 - Follow the visual instructions on the product.
 - The water supply pressure for the lift's hydraulic system must remain between 3.5 and 5.5 bar. It should never be more than 5.5 bar.
 - Always use clean tap water to operate the lift. If using water from a well or another kind of water that might contain impurities, use a filter.



- Maintenance:
 - Clean the structure of the lift with lots pressurised fresh water to ensure there are no foreign particles on the surface, and then dry with a cotton cloth.
 - If there are weeks during which the lift is not used by any user, operate the lift at least once per week with a medium load (approximately 75 kg), performing several raising and lowering operations. This will keep the inside of the cylinder clean.
 - During the off-season, store indoors at room temperature. Keep the lift clean and dry with the cylinder empty (seat in lowered position) and in a place where it will not be hit. Install the supports while the lift is in storage.
 - Regularly perform a visual check that all parts of the lift are in good condition and that all nuts and bolts are tight. If one of the pieces is worn out, do not use the lift until the part has been replaced. Perform additional inspections for indoor pools.

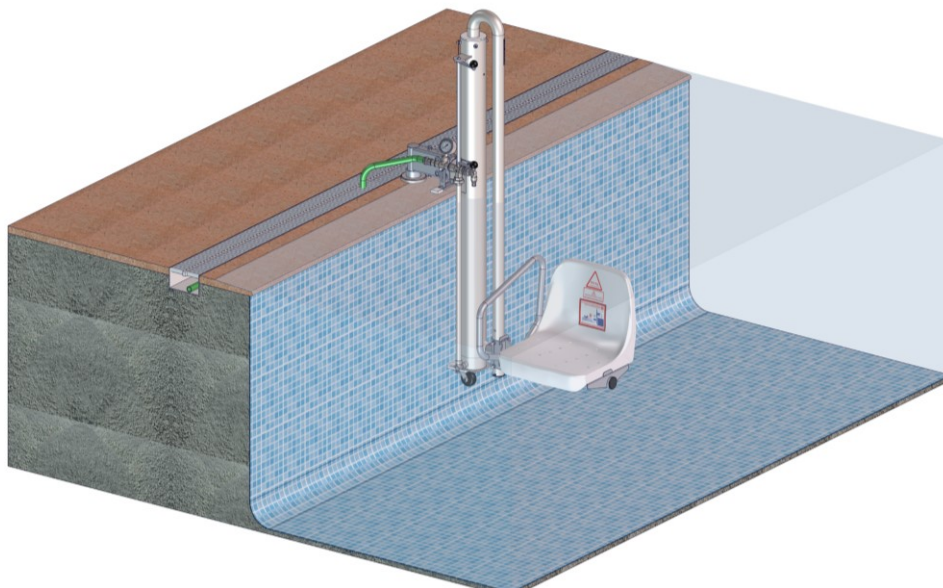
INDOOR POOLS: maintenance and especially cleaning of indoor pools must be much stricter due to the atmospheric conditions and temperatures generated.

For more information about maintenance please use the following link.

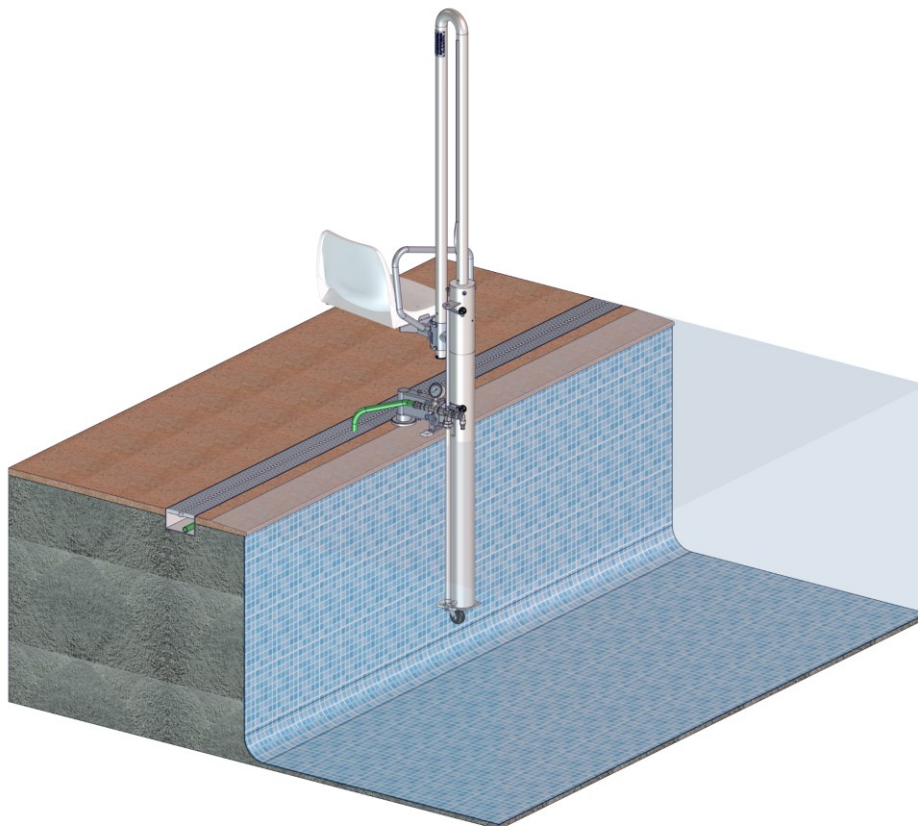




The pool lift moves using a hydraulic mechanism. When the user turns handle, the lift will start to go up or down, allowing them to enter or leave the pool.



Lower limit of the METALU PK model.

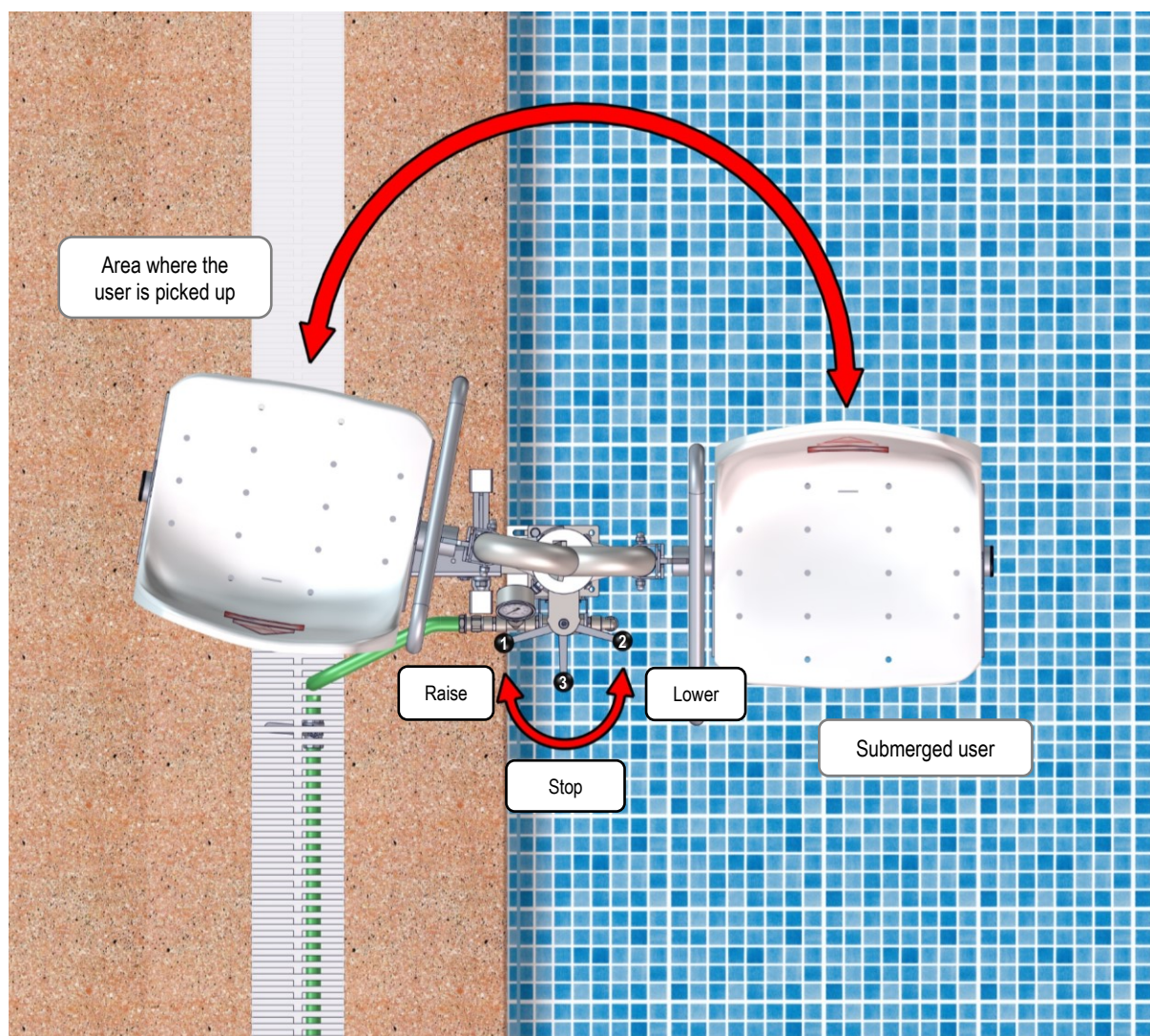


Upper limit of the METALU PK model.

The element that activates the lift is an actuating handle. The lifting or lowering speed can be adjusted depending on how much the handle is turned.

Turning the handle will raise, lower, or stop the handle as follows:

- Turning the handle from point 1 to point 2 **lowers** the lift.
- Turning the handle from point 2 to point 1 **raises** the lift.
- Turning the handle to point 3 will **stop** the lift in its current position.



Positions of the handle.

10 basic rules

1 METALU equipment should be installed according to the manufacturer's instructions, making all necessary queries. The installer should test the equipment after completing the installation, making sure that everything is correct.

2 According to art. 12 of Law 11/1997 on Containers, the final owner is responsible for packaging. Re-use as much as possible and dispose of the rest where appropriate for recycling.

Looking after the environment is everyone's responsibility.



3 METALU equipment should only be used by designated people at centres and by the users of the equipment.

4 Those responsible at centres should know the equipment and have read the instructions. If any questions remain after reading the instructions, contact the manufacturer at the addresses provided below.

5 Those responsible at centres shall instruct the users on how to operate the equipment.

6 Before starting up the lift, it should be ensured that the radius of action is free. While the lift is working, do not place hands or other objects on the moving parts of the lift.



7 Cleaning the exterior is mandatory to preserve the warranty. Follow the instructions that come with the lift.



8 According to ITC-BT-31 of the REBT, the machine must be connected to the equipotential connection conductor that the pool must have.

9 The installer must be aware of and take into account the regulations in their autonomous community when performing the installation.

10 If the holder of this document is not the end client, the holder must forward it to the end client.

MANUFACTURAS METÁLICAS LUISIANERAS, S.L.

Hydraulic Pool Lift model METALU PK

Manual and certificates

Address: Polígono Industrial Los Motillos, C/ Madrid n.º 11 naves A, C, D, G, H,

41430. La Luisiana (Sevilla) - Spain

VAT NUMBER: B – 41834508

Phone number: +34 955 907 784

Web: www.ascensoracuatico.com

mail: info@ascensoracuatico.com

Contacts for technical inquiries

- Phone: +34 610 267 663
- mail: soporte@ascensoracuatico.com

