

Metalu TORVISCA



Designed for above ground (raised) swimming pools. Anchored to the floor and wall of the pool.

Includes: footrest, safety belt and armrests.

METALU TORVISCA

Manual swivel
Assisted user

*Custom made on request

GENERAL CHARACTERISTICS METALU TORVISCA

Made of stainless steel Aisi 316

For its operation it is necessary to have a water intake of at least 3,5 bar.

Removable seat

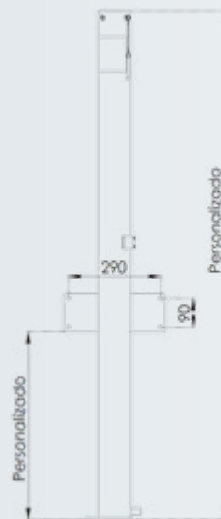
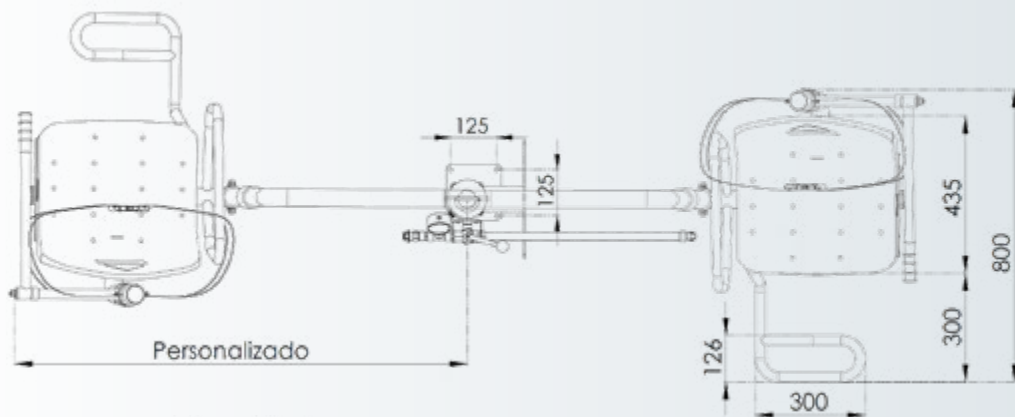
Lifting load capacity 120 Kgs

2 years warranty for the lift.
5 years warranty for all the spares.

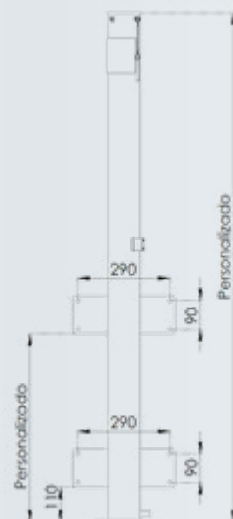
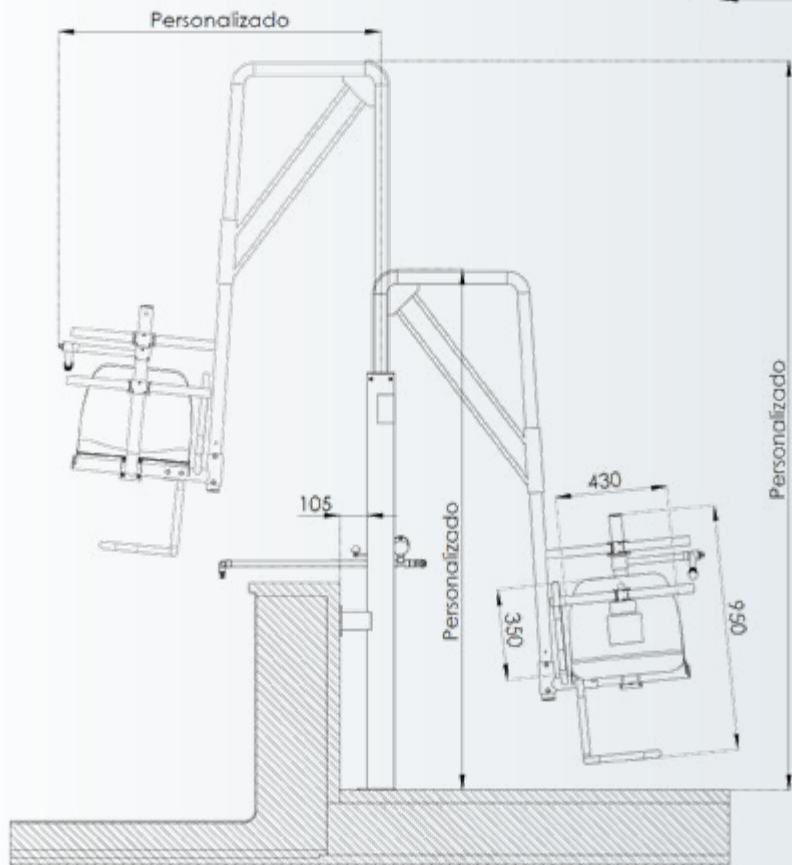
 Approx. 85 kg.



UNITS IN MILLIMETERS [MM]



GROUND AND WALL ANCHORING



DOUBLE ANCHOR TO THE WALL

