

# Metalu PK

PORTABLE HYDRAULIC LIFT

ascensor acuático

**METALU**<sup>®</sup>  
poollift.com.es



It is the smallest and most discreet hydraulic lift on the market, disassembling and assembling in just three minutes. Ideal for those pools where you do not want to have the lift permanently installed.

Another of the great advantages of Metalu Pk is that with a single lift you can provide service to several pools in the same enclosure.

## GENERAL CHARACTERISTICS METALU PK

PORTABLE HYDRAULIC LIFT

- Officially approved to lift up to 150 Kgs.
- For its operation, it is needed a water inlet with a pressure between 3.5 and 5.5 bar, depending on the desired load lifting capacity.
- Rotation angle: 170°, clockwise (downhill).
- Rotation radius 700 m / m.
- The operation control is located at the right of the user.
- The seat has a travel of 1.06 meters.
- Removable seat.
- Made of AISI 316 stainless steel.

### ■ AUTONOMOUS USER

- \*Rising time without load.....24"
- \*Rising time with 85 kg load.....27"
- \*Lowering time without load.....50"
- \*Lowering time with 85 kg load.....22"

2 years warranty on the lift.

5 years warranty on all spare parts.

 Approx. 37 kg.



## \*TO CONSIDER

- Minimum required depth 0.90 m.
- Check that the anchorage does not coincide with any obstacle: overflowing channel, underground pipes etc.

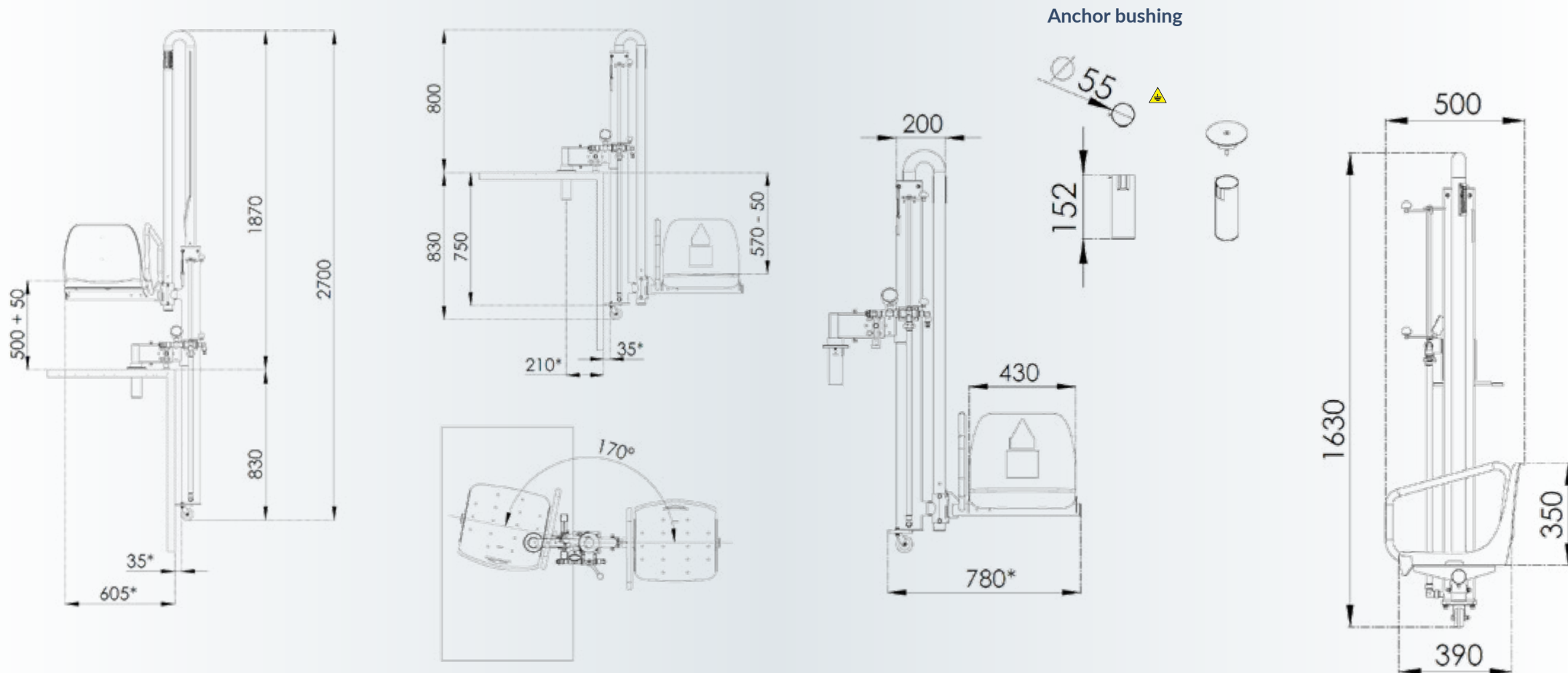
We have anchor extensions for these cases. **Consult.**

- If the difference between the pool edge and the water surface is more than 15 cm. **Consult.**
- Indicate in the case of a liner or polyester pool.



Anchor special measure

## METALU PK DIMENSIONS



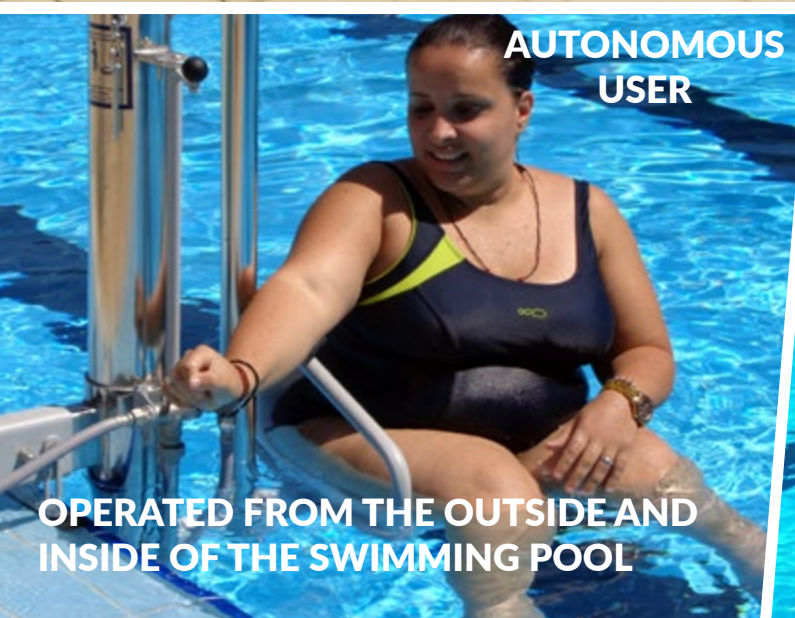
- Dimensions in mm. \*Dimensions dependent on the 35mm dimension, that is, the distance from the internal wall of the pool to the lifting cylinder.



PORTABLE



WATER INLET



AUTONOMOUS  
USER

OPERATED FROM THE OUTSIDE AND  
INSIDE OF THE SWIMMING POOL



REMOVABLE SEAT

